



VT157A

IP Camera Field Kit

The VT157A is a complete IP Camera Field Kit. It has been designed to ease camera installation for security dealers. The VT157A connects directly to the RJ-45 Ethernet port of an IP camera. The IP Discovery Tool (IPDT) scans devices within the base IP address of the unit. Once found the user can launch the camera's web page and use the video to set the camera's focus, field of view and any other parameter available on the web page.

The VT157A weighs less than 2 lbs and is a Windows XP based platform which can easily be held in one hand. The external battery can power the unit for approximately 3 hours on a full charge and weighs approximately 1 lb. The patent pending software discovery tool works with most IP cameras and with only a few touches of the screen to find the desired camera. Simply set the VT157A LAN IP address to the base address you wish to scan for, connect the unit to the camera via the included Cat5 cross over cable, launch the tool, touch "Scan", touch "Discover" and the IP address of the camera will be displayed. Merely double click on the IP address and the camera's web site will open.

As most camera installations occur while the technician is on a ladder, the VT157A provides a convenient form factor enhancing technician safety. The included shoulder/duffle bag provides a means of storing the unit when not in use – as well as providing a holder for the external battery.

Applications:

- IP Camera Installations

Contents:

- Handheld PC with 5.7" IP-64 Rated Touch Screen Monitor
- IP Camera Discovery S/W
- Cat5e Cable to Connect to Camera
- External Universal Lithium Ion Battery Pack w/AC Charger
- Car Charger
- Duffle Bag Carrying Case

Options:

- Veracity PINPOINT Adaptor for PoE installations
- Spare Battery
- Extra output cable and connector kit
- Barrel and Audio style Power Connector Assortment – 16 Connectors

Specifications:

- 5.7" VGA TFT LED backlight LCD with resistive touch screen
- Fanless cooling system
- 800 MHz AMD CPU with 512 MB SDRAM
- Built-in 802.11b/g Wireless LAN, Bluetooth module & two 1.5 W speakers
- IP 64 compliant front panel
- Construction Material: ABS + PC Plastic front frame with Aluminum die casting body
- Dimensions (WxHxD): 7.1 x 5.3 x 2.2 (in), 180 x 135 x 55 (mm)
- Battery Output Voltage Steps: 5VDC, 6VDC, 7.5VDC, 9VDC, 12VDC, 14VDC, 16VDC, 19VDC



VISTA Networking Solutions

Specifications:

SUPPLIED ACCESSORIES

AC Power Adaptor	Input: 90~264V; Output: 12V; Power: 36W
Battery	Universal Lithium Ion Battery Pack
Battery Chargers	AC Charger; Card Charger
OS Restore	1 Microsoft OS CD
Cable	Cat 5e Crossover cable for direct to camera connections
Carrying Case	Duffle bag

SYSTEM

Processor	AMD® Geode® LX 800 (500MHz)
Internal Memory	512KB
Operating System	Windows XP Pro Service Pack 3
Operating System Storage	4 GB Flash Card

VIDEO

Touch Screen	4-wire resistive type
Resolution	640 x 480
Display	5.7", 400 cd/m ² , 262K LCD color

I/O Ports and Switchs

Serial Ports	1 RS-232 (RJ45) and 1 RS-232/422/485 (RJ-45)
Ethernet (LAN)	10/100 Mbps (RJ-45)
USB	2 USB 2.0 Ports
Wireless LAN	802.11b/g
Personal Area Network	Bluetooth v2.0
Power	Separate Power and Reset Switches
Auto Boot Switch	AT/ATX Switch (AT setting boots when power is applied)
Video Out	1 VGA Port

POWER

Power Input	12V
Power Supply	LiION Battery or AC Power Adaptor
Power Consumption	15 watts

ENVIRONMENTAL

Operating	0° to 50° C (32° to 122° F), 5% to 80% (non-condensing)
Storage	-20° to 60° C (-4° to 140° F), 5% to 80% (non-condensing)

PHYSICAL

Construction	ABS + PC Plastic front frame Aluminum die casting body
Cooling	1 rear 120mm Fan (Desktop) 2x80mm (front) & 1x60mm, 2x40mm Fans (Rear) (Rack Mount)
Dimensions	(HxWxD) 5.3 x 7.1 x 2.2in. (135 x 180 x 55 mm)
Unit Weight (gross)	Approximately 1.76 lbs (0.8 kg.) - Handheld Approximately 1.0 lbs (0.44 kg.) - Battery



VISTA Networking Solutions

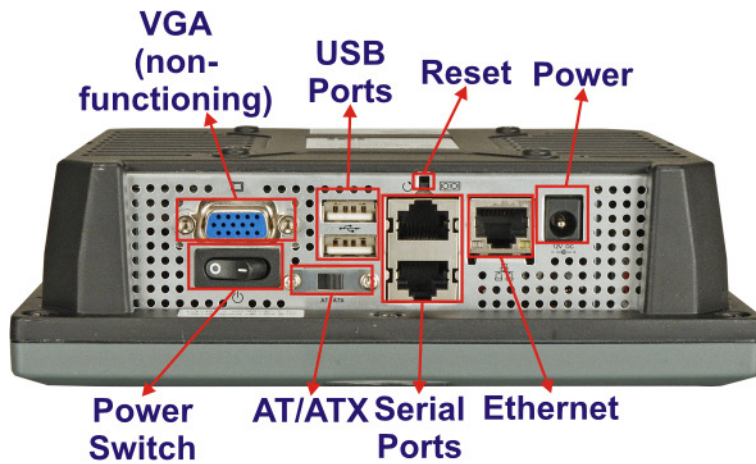


Figure 1 Bottom View

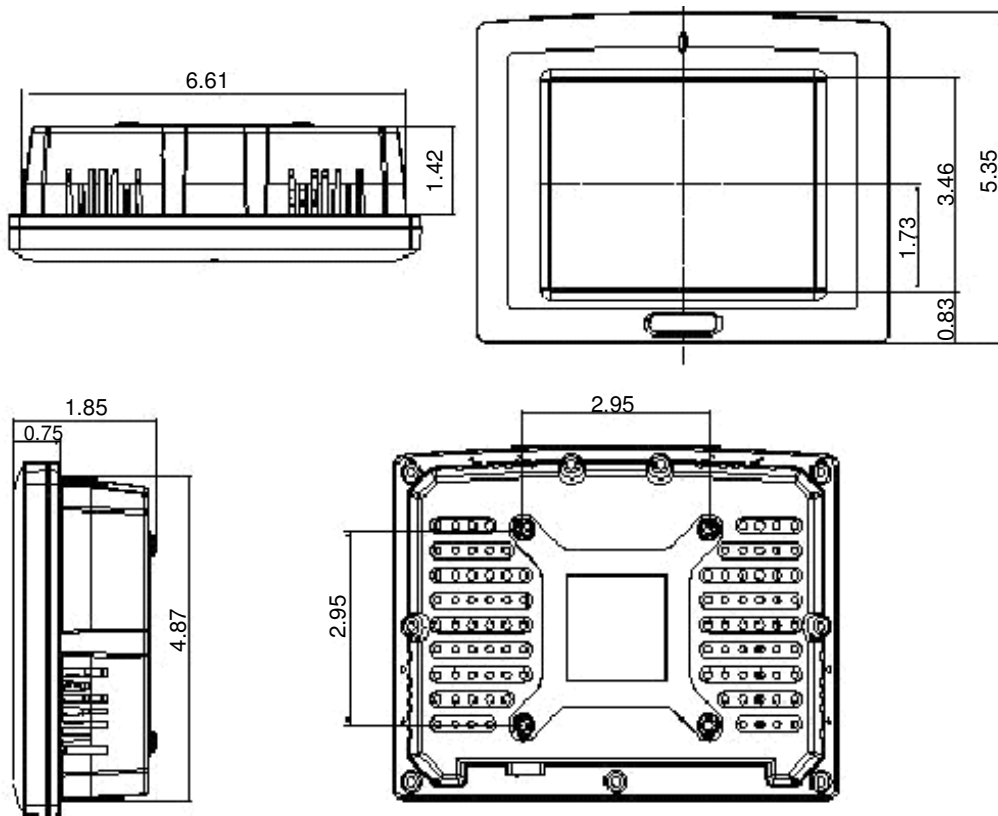


Figure 2 Dimensions