



VP Series Network Video Recorder

Surveillance NVR with Built In PoE

The VP Series Network Video Recorders (NVRs) are a scalable control and archive platforms with an embedded 8 port Power-over-Ethernet PoE) switch for IP video surveillance applications. This SurVIS™ (Surveillance Video Information Server) NVR comes in small desktop form factor, runs commercially available Digital Video Surveillance Management software and is available with 1 TB, 2 TB or 4 TB of video archive capacity. It comes with a Microsoft Windows Operating System pre-installed and allows the user to view live or recorded video across 1, 2 or 4 monitors. The VP series of products optimize performance for mega-pixel cameras with a camera count matching the number of ports available on the embedded switch. The inclusion of the embedded PoE switch simplifies the installation as there isn't a need for an external switch or camera power supplies. The PoE switch is powered via a "power brick" which plugs into the NVR. The 8 RJ-45 Ethernet ports are available through a dongle attached to the NVR.

The VP series NVRs are intended to support mega-pixel cameras and ease the installation process so that the NVR approaches the simplicity of the DVR. The switch looks like a LAN port within Windows and can be programmed (i.e. set a fixed IP address) via the same tools. When using 1080p cameras, with over 6 times the viewing area of standard analog cameras, the VP108 is capable of providing as much recorded video area as a 54 channel DVR.

Applications and Features

Applications:

- Small Office
- Health and Fitness Centers
- Residential
- Convenience Stores
- Food Service Establishments
- Day Care Centers

Features:

- Desktop Footprint
- Intel® Dual Core Technology
- Flexible video archive size: 1 GB to 4 TB
- Microsoft Windows® 7 Operating System
- Embedded Power-over-Ethernet Switch
- Support for 1, 2 or 4 monitors



Common Configuration:

- **VP108:** 3.2 GHz i3 Dual Core processor, 2 GB RAM, up to 4 TB of Storage in fixed bays, Windows 7 Pro, DVD RW and one 10/100/1000 Mbps LAN Port (not including the 8-port switch) and 8 PoE connections



ViSTA Networking Solutions

Specifications:

SUPPLIED ACCESSORIES

| | |
|-----------------|--|
| Power Cable (s) | 1 USA Standard 117VAC, 3 prongs, 6ft 1 "Octopus" (8 RJ-45 connectors) cable |
| Keyboard | 1 Basic Keyboard |
| Mouse | 1 USB/PS2, Scroll Wheel, 3 Button |
| Restore | All original installation discs |
| PoE Power | External PoE power supply and cables |

SYSTEM

| | |
|--------------------------|---|
| Processor | Intel [®] i3 Dual Core |
| Internal Memory | 2GB DDR3 RAM 1333 MHz |
| Operating System | Windows 7 |
| Operating System Storage | 60GB |
| Video Archive Capacity | Up to 4 TB of SATA II Storage |
| RAID Level | None |
| Network Interface | 8 10/100 Mbps Ethernet RJ-45 (100Base-T) and 1 Gigabit RJ-45 (1000Base-T) |
| Auxiliary Interfaces | USB 2.0 Ports |

VIDEO

| | |
|---------------------------|--------------------------------------|
| CIF Processing Equivalent | Up to Eight (8) 3 Mbps* Cameras |
| Resolution | QCIF to mega-pixel based camera spec |
| Display | 1, 2 or 4 monitor outputs available |

ETHERNET SWITCH

| | |
|--------------------|---|
| Camera Ports | 8 RJ-45 10/100 Mbps Ports via "Octopus" cable |
| IEEE Standards | Camera Ports 802.3 (10Base-T Ethernet) 802.3u (100Base-Tx Ethernet) 802.3u Auto-negotiation 802.3x Duplex and Flow Control 802.3q VLAN 802.3p Priority Tagging Gigabit Internal Port 802.3ab (1000 Base-T Ethernet) 802.3q VLAN 802.3p Priority Tagging 802.3x Full Duplex Operation |
| Default IP Address | 192.168.1.1 |

POWER-OVER-ETHERNET

| | |
|----------------|---|
| Camera Ports | 8 RJ-45 10/100 Mbps Ports via "Octopus" Cable |
| IEEE Standards | 802.3af PoE Mode B up to 450mA (12.95W) per port 802.3at PoE Mode B up to 600mA (25.5W) per port |
| Features | PD Detection and Classification Over / Under Voltage Protection AC Disconnection Monitoring Current Foldback |
| Power | PoE Ports Powered by Provided External Power Brick (Unique for 802.3at or 802.3af) |

ENVIRONMENTAL

| | |
|-----------|---|
| Operating | 10° to 32° C (50° to 90° F), 8% to 80% (non-condensing) |
| Storage | -40° to 70° C (-40° to 158° F), 5 to 95% (non-condensing) |



ViSTA Networking Solutions

PHYSICAL

CASE A

| | |
|---------------------|---|
| Form Factor | Mid-Tower Desk Top with 2 Internal Storage Bays |
| Power Supply | 430 watt |
| Cooling | 1 rear 120mm Fan |
| Dimensions | (HxWxD) 18.3 x 8.25 x 18.6 in. (465 x 210 x 472 mm) |
| Unit Weight (gross) | Approximately 30 lbs (9.1 kg.) |

Part Numbering:

VNS Part numbers are 14 characters.

Platform:

VP1xx: Entry Level PoE NVR

Platform:

xx: Number of PoE Ports

Form Factor:

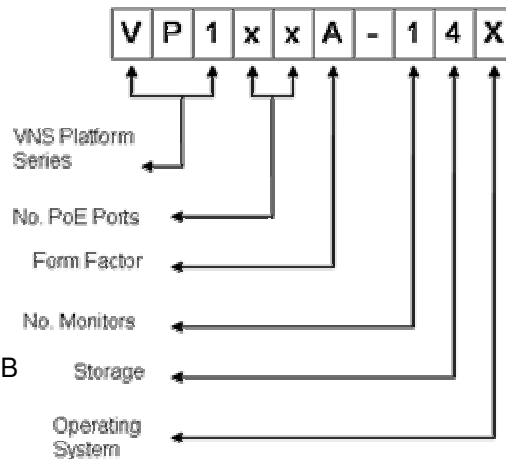
A: Mid-Tower Desktop

Number of Monitors: 1, 2, or 4

Storage: 1 = 1TB, 2 = 2TB and 4 = 4TB

Software:

X: Windows 7 Professional



IDENTIFIER LEGEND AND OPTIONS

PLATFORM SERIES FOR VNS SERVERS:

VP

Number of PoE Ports:
08 = 8

FORM FACTOR:
A = Desktop

NUMBER OF MONITORS:
1 = One
2 = Two
4 = Four

STORAGE in 10's of GB:
1 = 1 TB
2 = 2 TB
4 = 4 TB

OPERATING SYSTEM:
X = Windows 7 Professional
K = Windows 2008 Server

Example:

VP108A-14X: Desktop PoE enabled NVR with 8 PoE ports, support for one monitor, 4TB of video storage and Windows 7 Professional OS.

*VGA/sec processing dependent on video surveillance management software package
Specifications subject to change without notice

Windows is a registered trade mark of Microsoft Corporation

Intel and i3 are registered trade marks of Intel Corporation